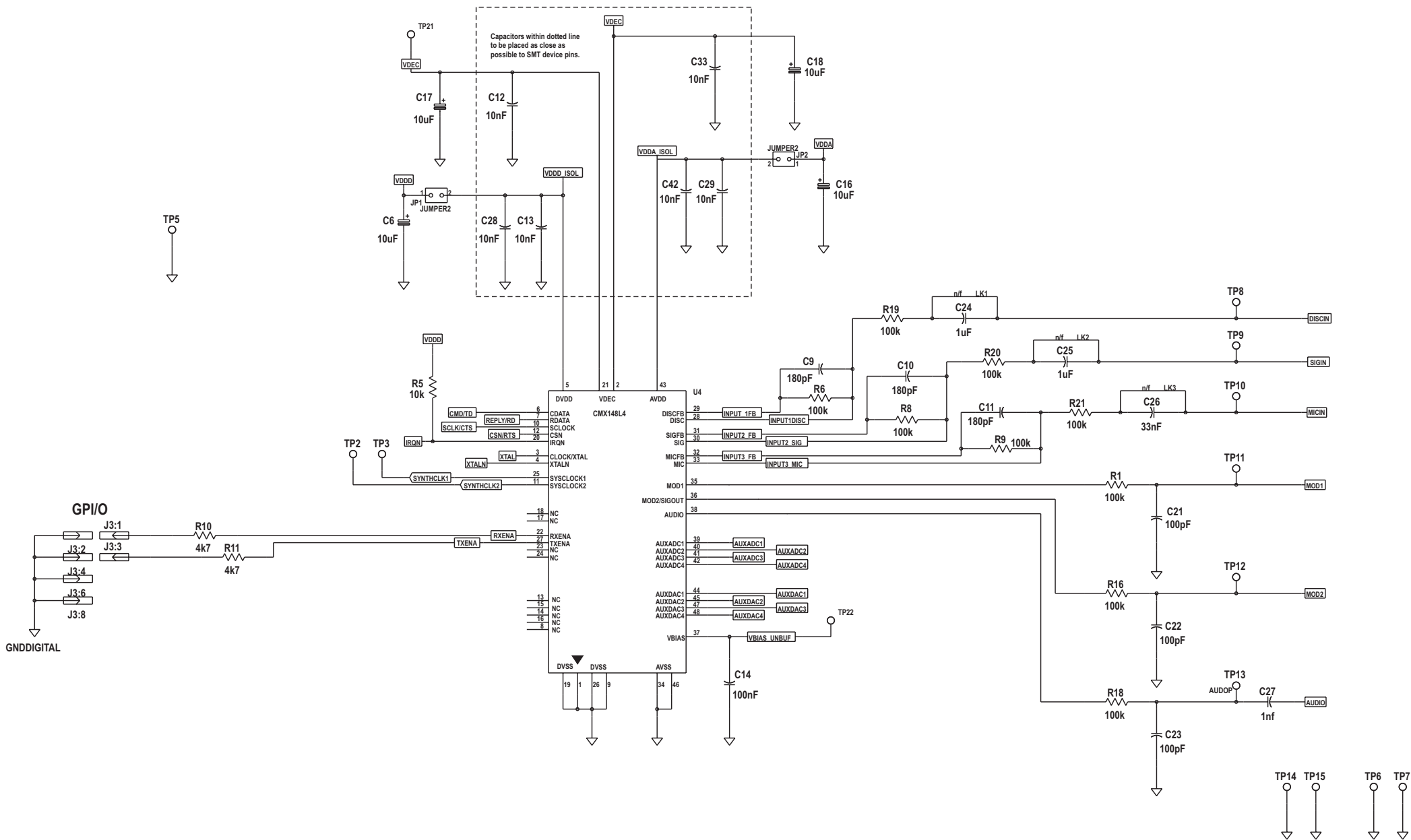




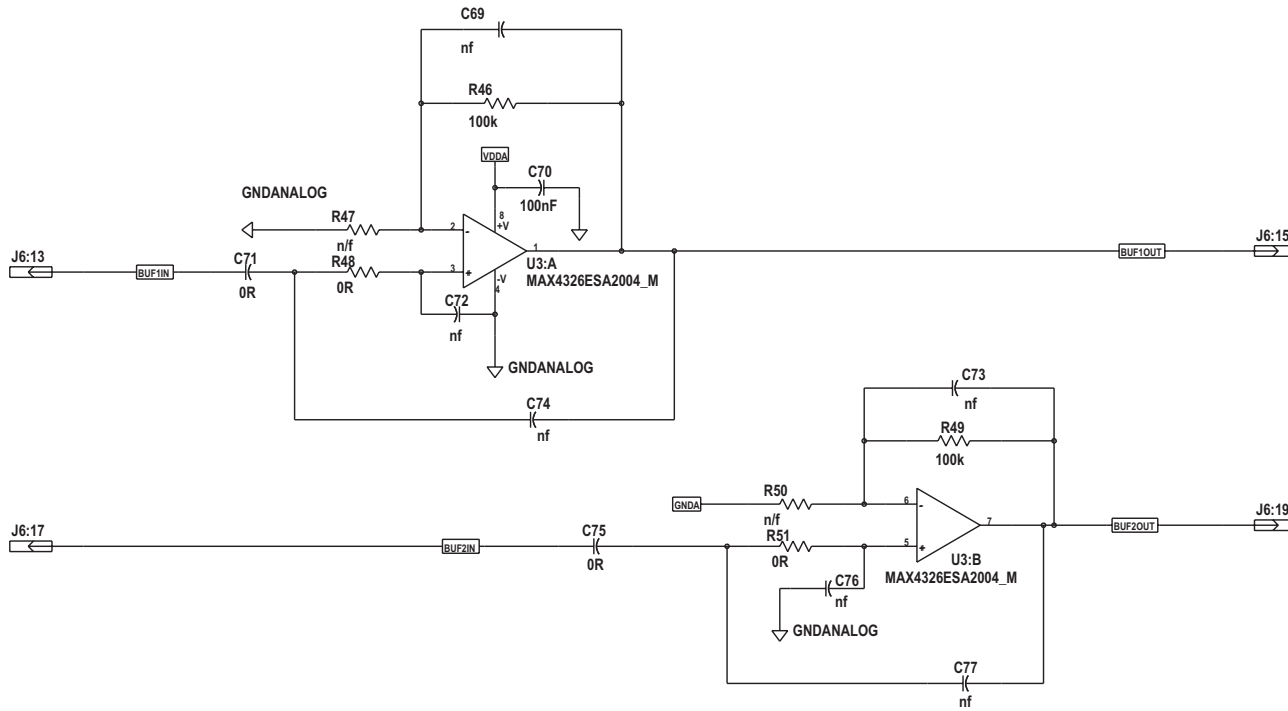
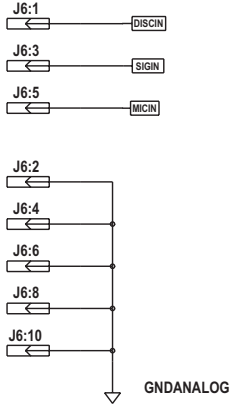
**CML Microcircuits**

*COMMUNICATION SEMICONDUCTORS*

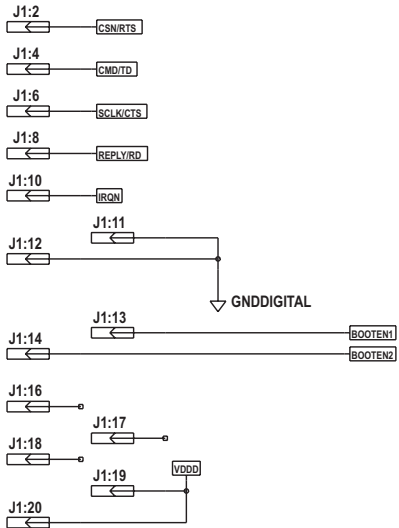
# High Resolution Circuit Diagrams for EV1480



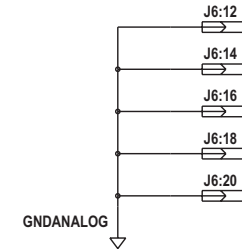
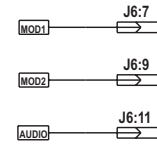
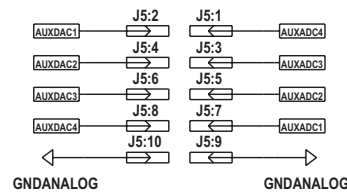
**Analogue I/O**

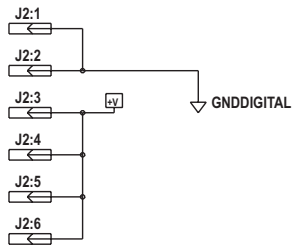
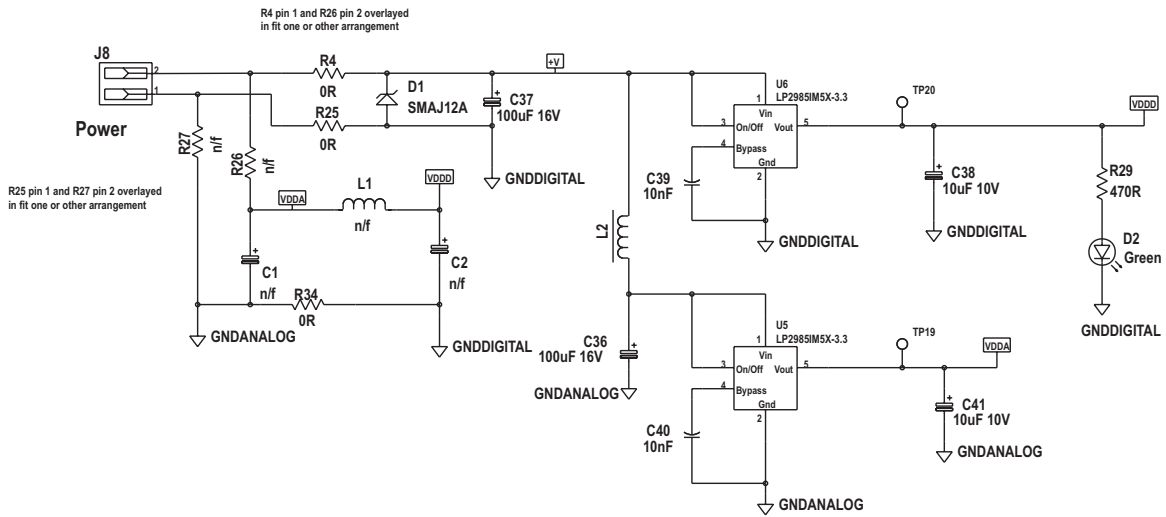


**C-Bus Control**



**Aux. DAC/ADC**





Daisy Chain +5volts from PE0002

### Device clocking options

